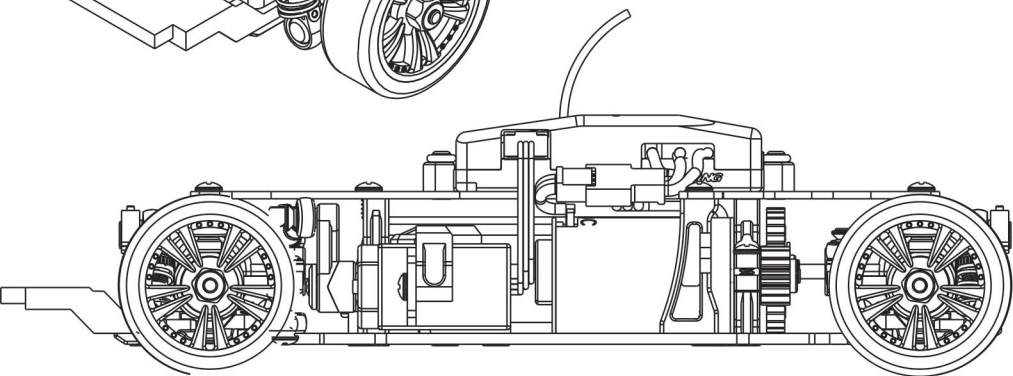
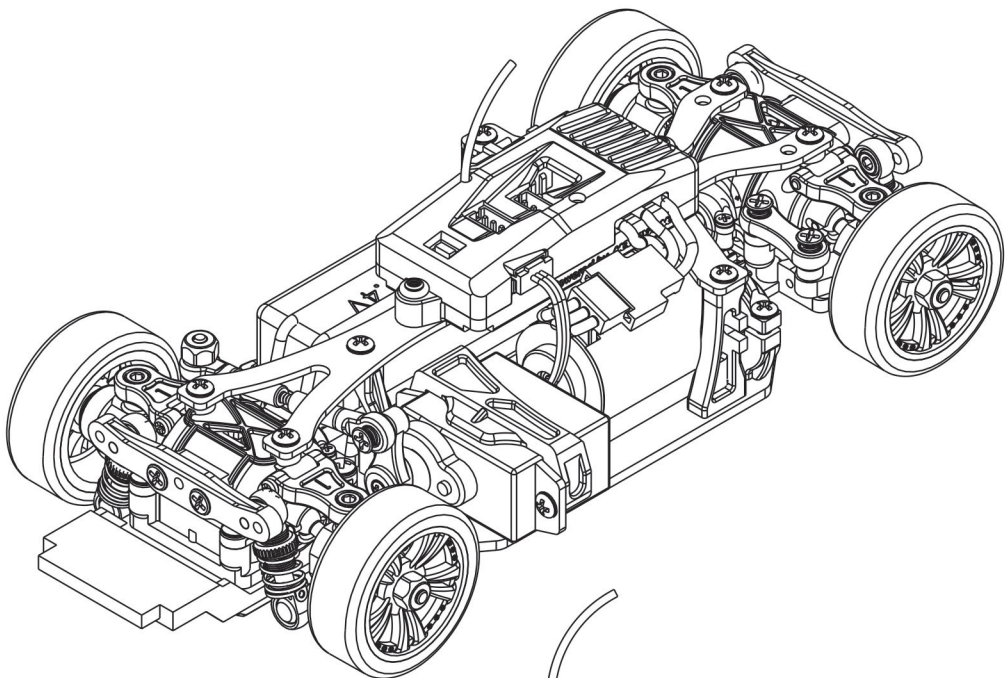
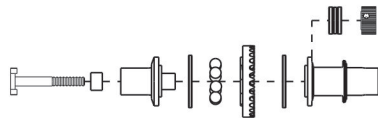


AMZ

MICRO 4WD

Installation Manual





Ball differential assembly

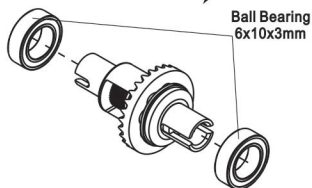
BAG1

1



X2
Ball Bearing 6x10x3mm

1



Ball Bearing
6x10x3mm

BAG1

2

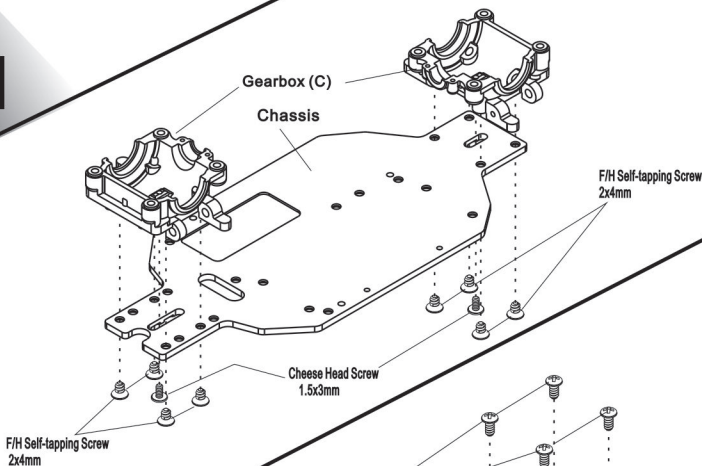


X8
F/H Self-tapping Screw 2x4mm



X2
Cheese Head Screw 1.5x3mm

2



Gearbox (C)

Chassis

F/H Self-tapping Screw
2x4mm

Cheese Head Screw
1.5x3mm

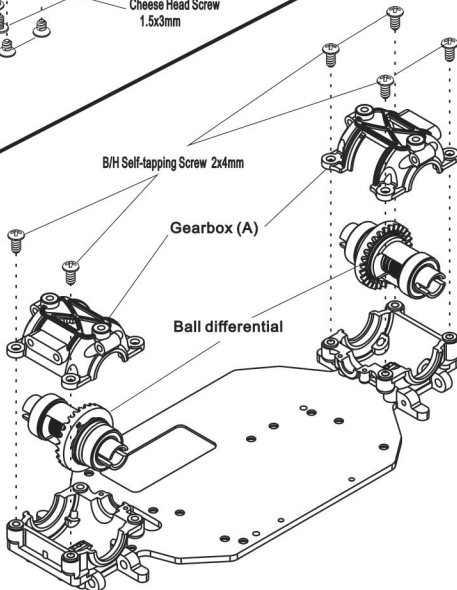
F/H Self-tapping Screw
2x4mm

BAG1

3



X6
B/H Self-tapping Screw 2x4mm



B/H Self-tapping Screw 2x4mm

Gearbox (A)

Ball differential



BAG2

4



X1

E-clip 3.5x8x0.4mm



X1

Set Screw 3x2.5mm



X2

Ball Bearing 2x5x2.5mm

BAG2

5



X2

F/H Self-tapping Screw 2x4mm



X4

F/H Self-tapping Screw 1.2 x 3mm

BAG2

6



X4

F/H Self-tapping Screw 1.2 x 3mm



X1

B/H Self-tapping Screw 2x4mm



X4

2x12mm Pin

BAG3

7



X8

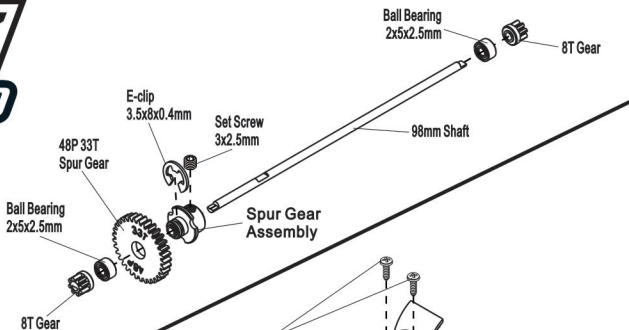
Ball Bearing 3x6x2mm



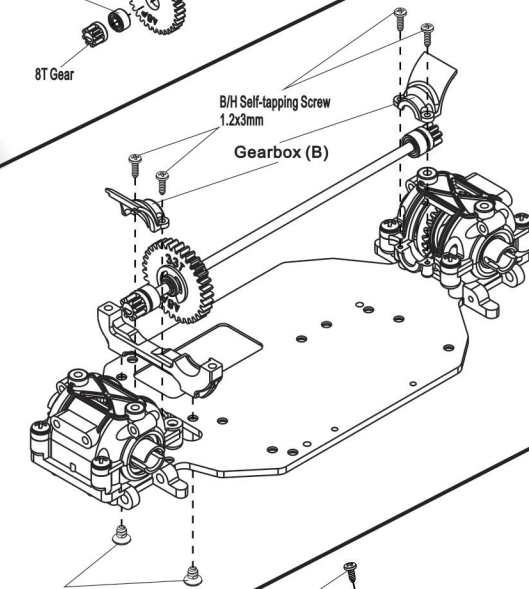
X8

4mm Ball Connector

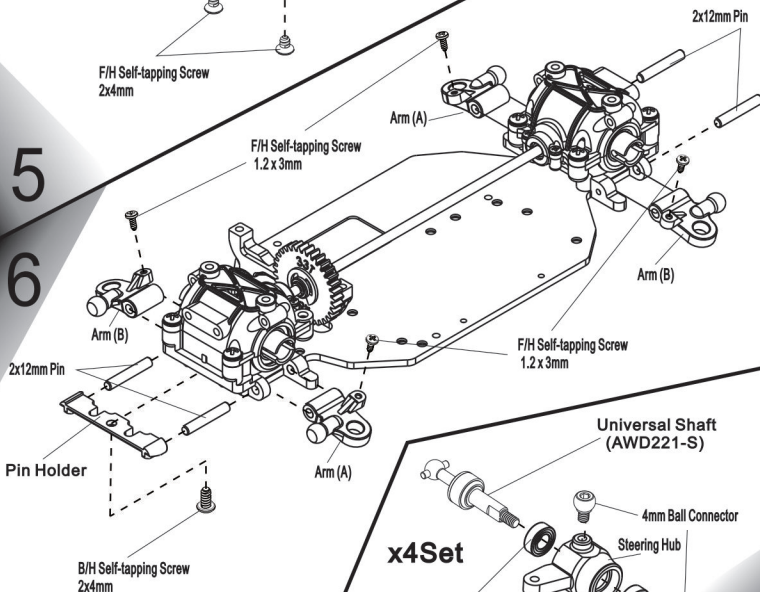
4



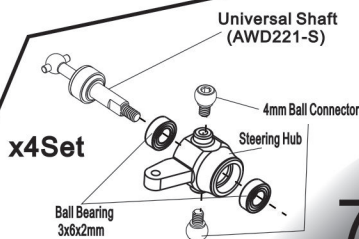
5



6



7





BAG3

8



King Pin Screw 1.5x9.3mm

BAG3

9



F/H Self-tapping Screw 2x8mm



2x3.5mm Ball



2x3.6x1.5mm Collar

BAG3

10



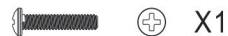
2x3.5mm Ball



2x3.6x3 mm Collar



Button Head Screw 2x18mm



Button Head Screw 2x10mm

BAG4

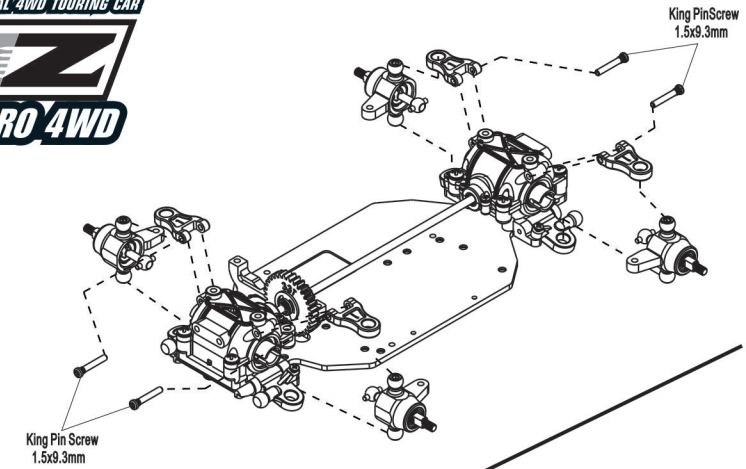
11



F/H Self-tapping Screw 2x4mm



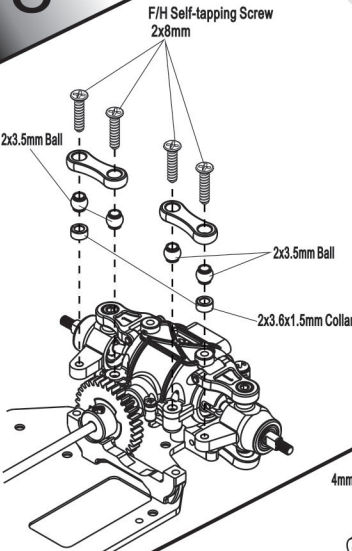
4mm Ball Connector



King Pin Screw
1.5x9.3mm

King PinScrew
1.5x9.3mm

8



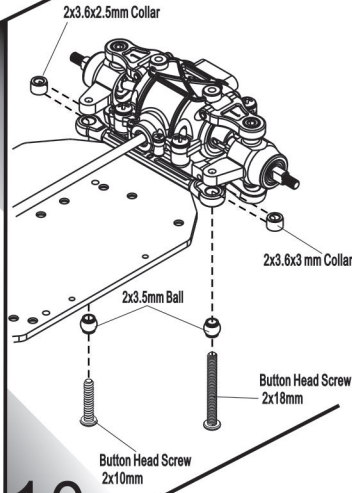
F/H Self-tapping Screw
2x8mm

2x3.5mm Ball

2x3.5mm Ball

2x3.6x1.5mm Collar

9



2x3.6x2.5mm Collar

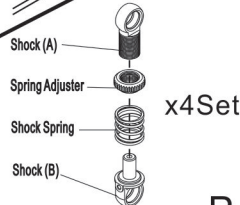
2x3.6x3 mm Collar

2x3.5mm Ball

Button Head Screw
2x10mm

Button Head Screw
2x18mm

10



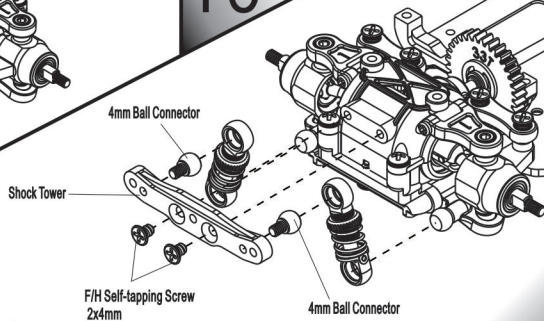
Shock (A)

Spring Adjuster

Shock Spring

Shock (B)

x4Set



4mm Ball Connector

Shock Tower

F/H Self-tapping Screw
2x4mm

4mm Ball Connector



BAG4

12



X2

F/H Self-tapping Screw 2x4mm



X2

4mm Ball Connector

BAG4

13



X2

B/H Self-tapping Screw 2x4mm



X1

B/H Self-tapping Screw 1.5x6mm



X1

M1X3mm O-ring

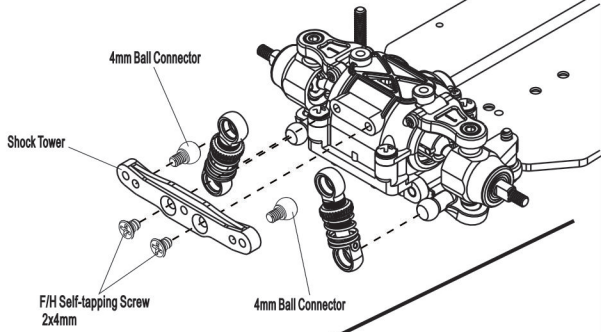
BAG4

14

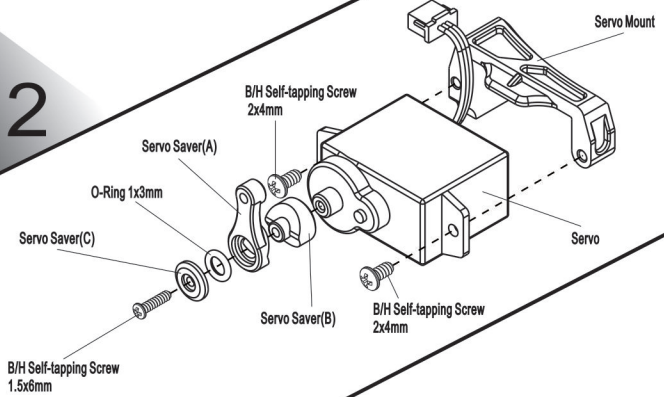


X2

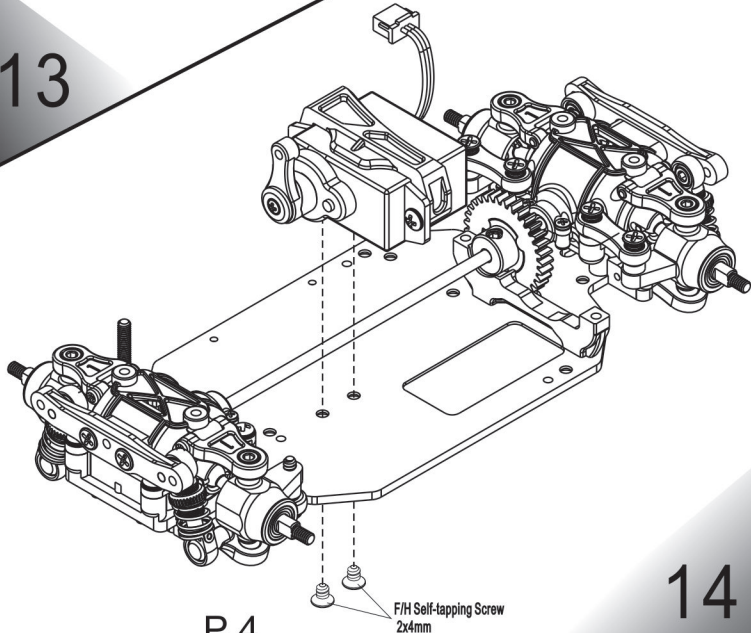
F/H Self-tapping Screw 2x4mm



12



13








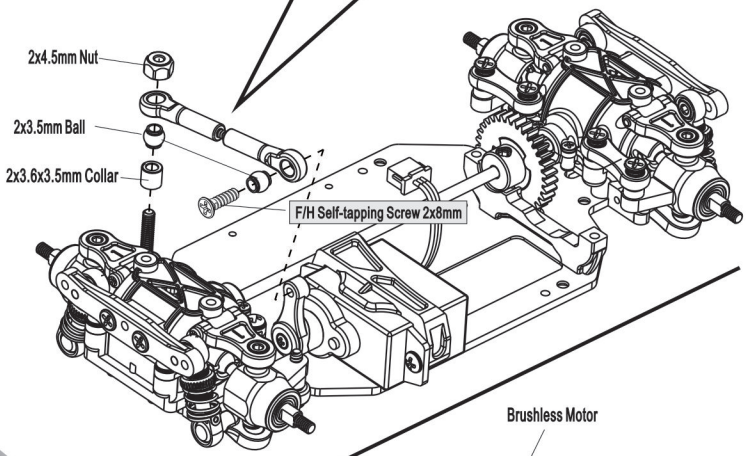
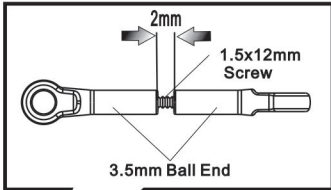
14



BAG5

15

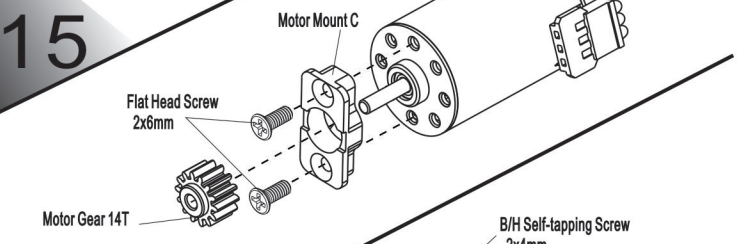
-  X1
1.5x12mm Screw
-  X2
2x3.5mm Ball
-  X1
F/H Self-tapping Screw 2x8mm
-  X1
2x4.5mm Nut
-  X1
2x3.6x3.5mm Collar



BAG5



16

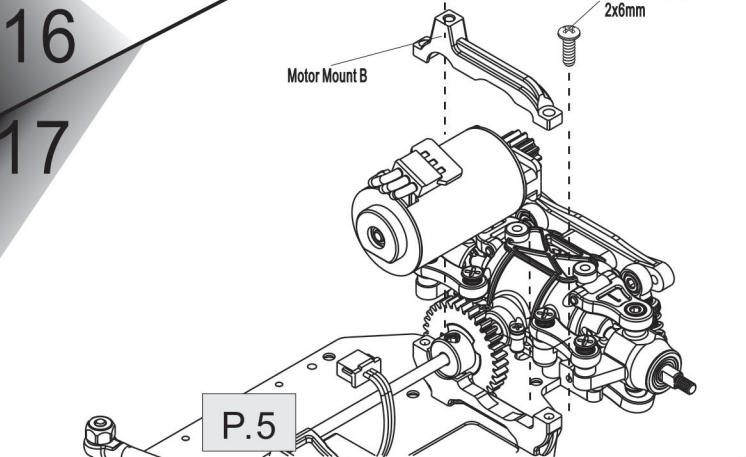
-  X2
Flat Head Screw 2x6mm



BAG5

17

-  X1
B/H Self-tapping Screw 2x4mm
-  X1
B/H Self-tapping Screw 2x6mm





BAG 6

18



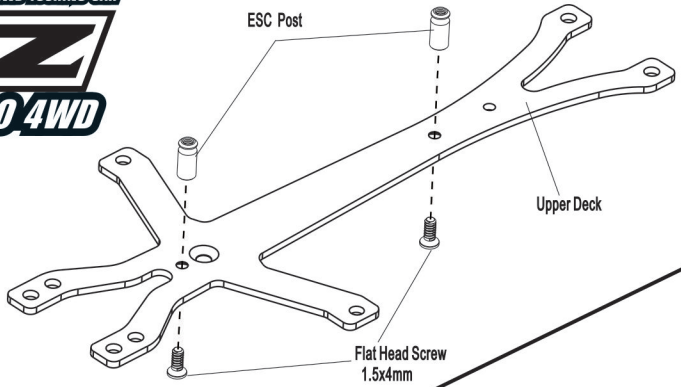
X2

Flat Head Screw 1.5x4mm



X2

ESC Post



BAG 6

19

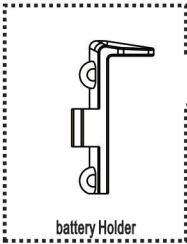
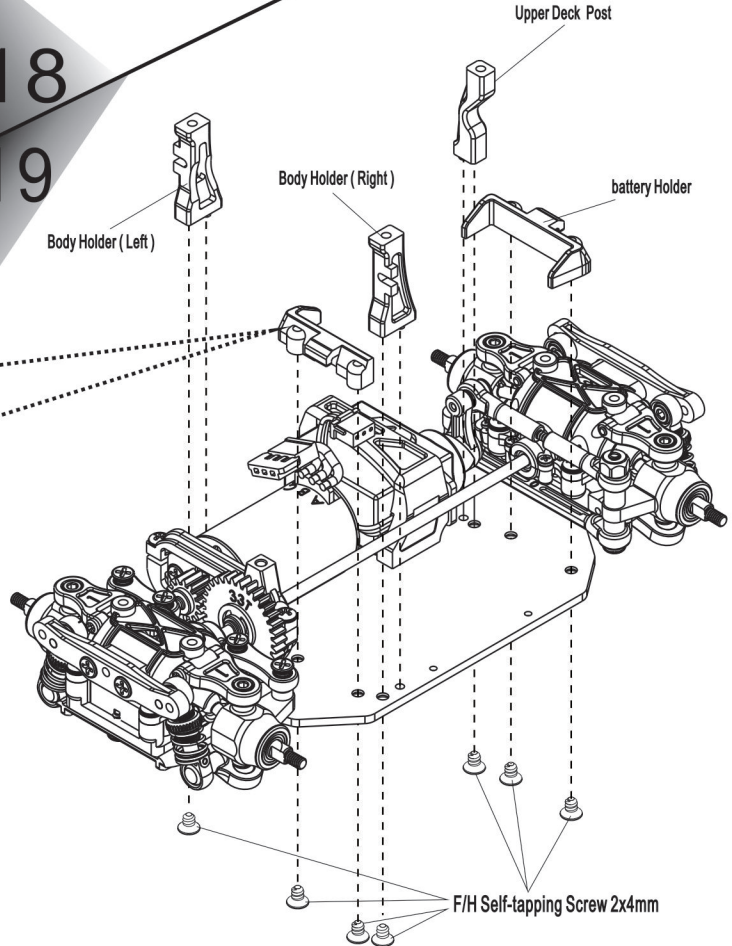


X7

F/H Self-tapping Screw 2x4mm

18

19

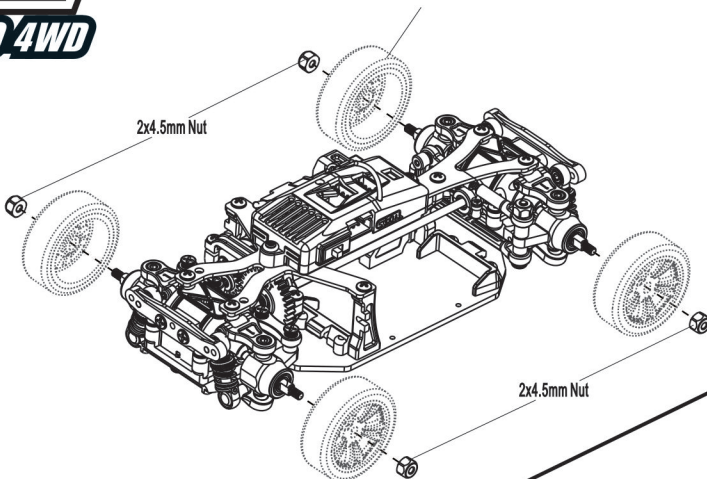




* Tire & Rims Hot Included

BAG 6

22

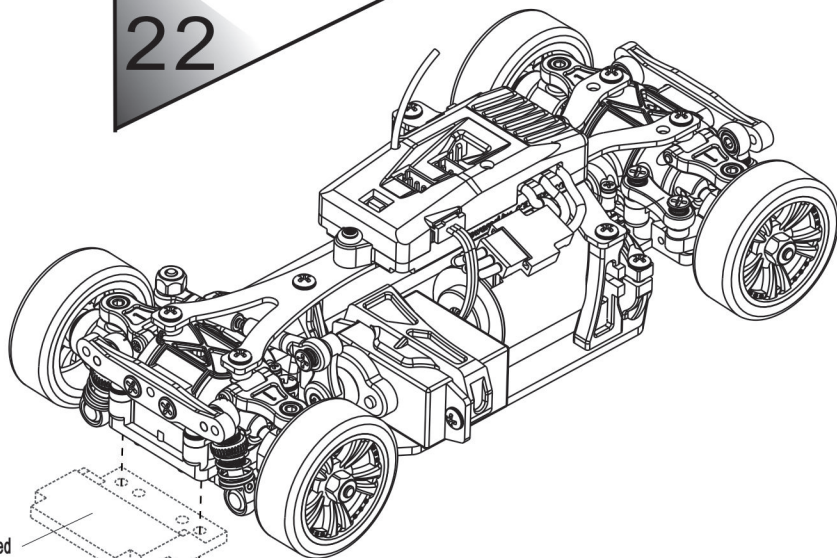


BAG 6

23



22



Not Included

Protect Plate

F/H Self-tapping Screw 2x8mm



BAG6

20



F/H Self-tapping Screw 2x4mm



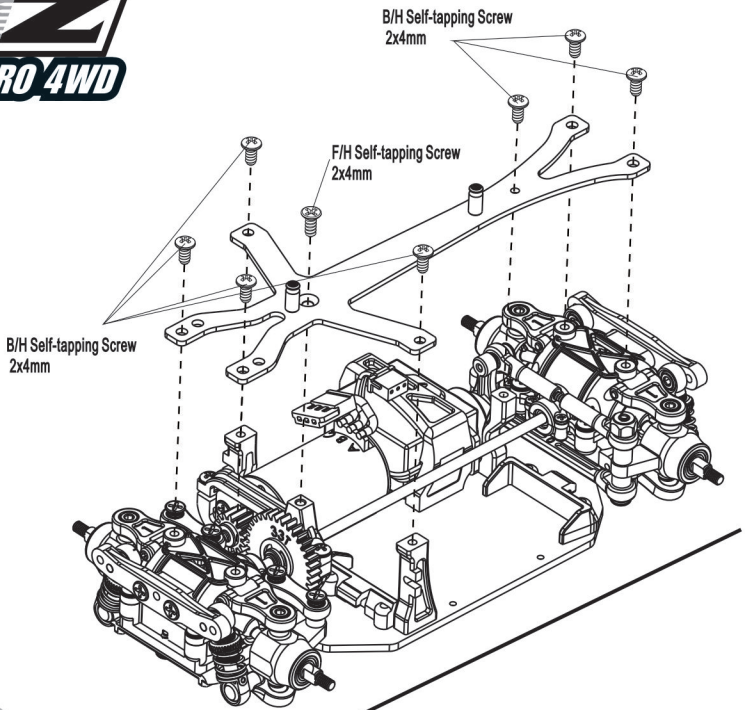
B/H Self-tapping Screw 2x4mm

BAG6

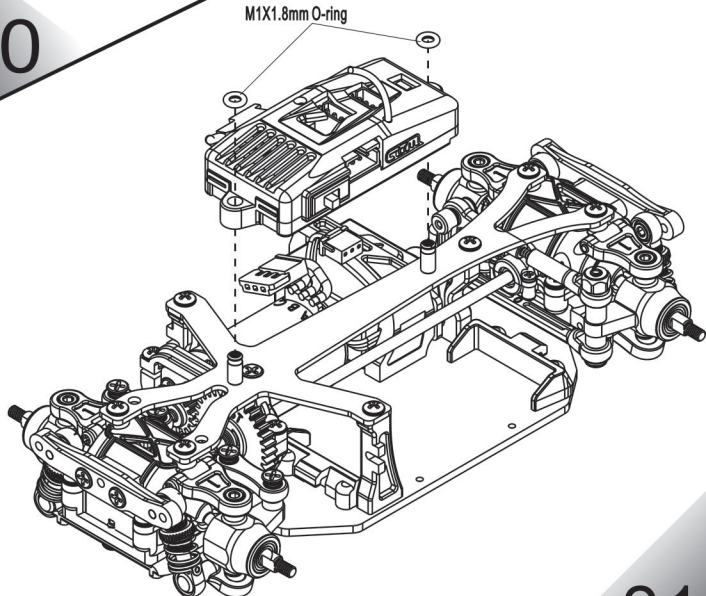
21



M1X1.8mm O-ring



20





BAG6

Battery O-ring

Not Included

